

Instructions for Medium-Pressure(Fixed-Bed) Glass Column

Thank you for choosing GALAK products. Please check the introduction of the medium-pressure column before usage.

I . Detail of assembly parts of medium pressure glass column:

No.	Name	Material	Note
1	Medium-pressure column		
2	Glass protetion column		Optional
3	Sealing ring of protection column	PTFE	
4	Sealing ring (including frits)	PTFE	
5	Coupling screw	316L	
6	1/8" Ferrule	Yellow ETFE	
7	Hand-tight screw	Green Delrin	
8	1/8" Tubing	Teflon	

II . Assembly instructions (including protection column)

- 1: Check whether the spare parts are complete (Note: standard spare parts).
 - 2: Install the sealing ring of the protective column of Part 3 into the chromatographic column.
 - 3: Install the glass protective column of component 2 on the chromatographic column.
 - 4: Put the sealing ring (including sieve plate) into the protective column at a large mouth upward. (Install the lower part as well)
 - 5: mount the connecting screw of part 5 into the protection column.
 - 6: insert part 7 hand screw into 1/8 "pipeline, and then insert 1/8" edge ring.
- Note: screw the small head of edge ring to hand. Figure 1 (Install the lower part as well)
- 7: the assembly of the pipeline and the blade ring is installed on the connecting screw and tightened. (Install the lower part as well)

Note:

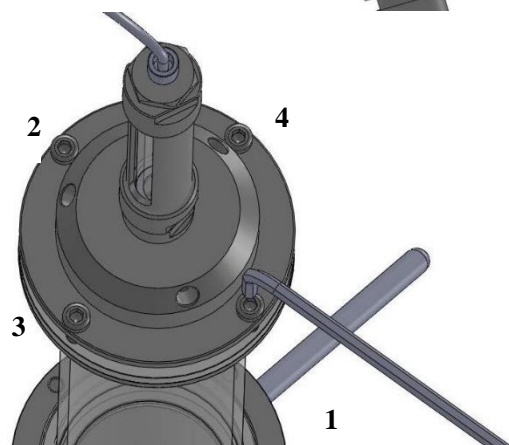
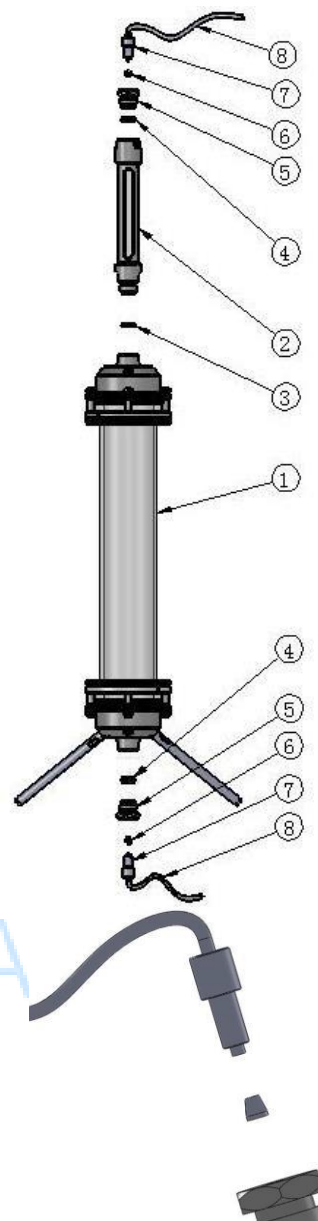
- 1: Standard products do not include protection column. The column is already assembled before shipping.
- 2: Columns with diameter less than 26 mm (including) have no SS support.

III. Disassembly and installation

After a period of use, the inner wall of the column needs to be cleaned. The specific operation is as follows:

- A. First use the hexagon socket screw with sequence 1, 2, 3, 4. Unscrew the inner hexagon screw and remove the stigma.
- B. Remove the PTFE sealing ring at the column port.
- C. After cleaning, install the PTFE sealing ring on the port (Note: the port of the glass column must be cleaned, otherwise it will cause column leakage)
- D. Cover the cylinder head on the sealing ring with sequence 1, 2, 3, 4. Locking all screws.

(Note: diagonal screws should be used evenly, otherwise it will cause damage to the glass column)



Wet Packing Steps

For Medium-pressure Glass Column

1. Calculate the required packing material according to the volume of the column used. Weigh the required packing material for use.
2. Place packing material in a beaker.
Pour a certain volume of methanol into the reversed-phase chromatography and stir it thoroughly. Note that the amount of methanol is enough to mix the packing material well.
In the normal-phase chromatography, fully stirred the low-polarity eluent with silica gel. For example, methanol-dichloromethane, we use dichloromethane as a solvent to stir with silica gel.
3. After the packing is stirred, add the cylinder to the sample column, and pour the mixed packing material into the column. If time allows, natural settlement can be selected. Or directly wash two or three column volumes with the eluent until the packing stops sinking and then proceed to the next step.
4. If there is an air compressor, use it to dry the column. And then pour the mixed packing material into the column. Follow the step 3 and step 4.
If there is no air compressor, put a pipeline into the column, use the bulb for pipet to remove the solvent in the column, and then follow step 3.
5. Follow steps 3 and 4 for several times, until the column is installed at the bottom of the sampling column (the top of the glass column). Then press the solvent out. Remove the sampling column and screw on the nuts.

Note:

This method is just for beginners. For professional operators, please use proven method for packing.

Wuxi GALAK Chromatography Technology Co., Ltd

Address: 88th Meiliang Road, Mashan, Binhu district,
Wuxi, Jiangsu province, China 214092

Tel: +86 510-85992929

Fax: +86 510-85104949